

Specification sheet

CF 300

FA 4X2 Rigid,

n-EC



ENGINES

CF 300 MX-11 (220 kW / 299 hp)

CF 340 MX-11 (251 kW / 341 hp)

GVM¹⁾

20500 kg

GCM²⁾

38000 kg

Max. front 8000 kg

Max. rear 13000 kg

CAB EXTERIOR

Day Cab with galvanised steel bumper, tinted glass and electric window openers. Main mirrors and wide angle mirrors electrically heated. Cab width 2300 mm.; LED daytime running lights; Manually adjustable main mirrors; No front view mirror.

Optional

02106 Sleeper Cab	09983 Fog lights
01137 Space Cab	09984 Fog lights and cornering lights
01226 Cab suspension air	06593 Skylights
01174 External sun visor green translucent	06628 One hazard beacon light at co-driver side
00847 Air horns, single set	06627 One hazard beacon light at driver side
09006 Air horns, double set	06629 Two hazard beacon lights
08020 LED head lights	

AERODYNAMICS

Optional

06776 Adjustable roof air deflector	04906 Side collars, one side hinged
--------------------------------------------	--------------------------------------------

COLOURS

Cab colour H3279 Brilliant White; Head lamp panel and bumper: Brilliant White; Chassis colour grey..

Optional

06485 Head lamp panel and bumper: cab colour	09933 Head lamp panel and bumper: Stone Grey
-----------------------------------------------------	-----------------------------------------------------

CAB INTERIOR

Cab interior trim colour Dark Sand; Cab interior decoration Black Rock; Driver seat: Comfort Air; Co-driver seat: basic; Automatic Temperature Control and airco; Pollen filter; Roof hatch glass, manual control.

Optional

09271 Steering wheel, leather, colour black	07748 Co-driver seat: Xtra Leather Air
07240 Steering wheel, leather, Exclusive	00967 Seat belts red
07733 Driver seat: Luxury Air	02117 Third seat
07736 Driver seat: Super Air	06539 Refrigerator
07737 Driver seat: Xtra Leather Air	06783 Lower bunk foam mattress
07741 Co-driver seat: Comfort Air	06784 Lower bunk mattress Xtra Comfort
07743 Co-driver seat: Luxury Air	06676 PL light in cab ceiling
07746 Co-driver seat: Super Air	06970 Automatic Cab Climate Control

COMMUNICATION AND DRIVING MANAGEMENT

Tachograph mechanical; Speed limiter setting 85/90 km/h; Antennas: radio, 2x cellular, GNSS; Cruise control.

Optional

09681 Preparation for Maut	08023 Adaptive Cruise Control with FCW and AEBS-3
08450 Luxury speaker system with 6 speakers	06991 Predictive Cruise Control
07117 Radio/USB player, 2 speakers	06992 Predictive Cruise Control lite

SAFETY AND SECURITY

No Lane Departure Warning System; Vehicle Stability Control (VSC); Basic engine immobiliser system.

Optional

08631 Air bag (driver) and 2 seat belt tensioners	09827 Side camera system
09828 Front camera system	01725 Reverse warning

SUSPENSION AND AXLES

Front axle load 8.00 t; Rear: 13.00 t, air suspension, SR1344.

Optional

06257 Front axle load 9.00 t	04588 Rear axle SR1347
04647 Front springs air	01603 Rear springs parabolic
04057 Rear axle HR1356	08191 Axle load monitoring

WHEELS AND TYRES

Front axle(s): 315/70R22.5; Driven rear axle(s): 315/70R22.5; Disc wheels steel, silvergrey; No wheel protection rings.

Optional

16152 Tyre makes and types

DRIVELINE

Engine MX-11, 6 cylinder diesel engine, 10.8 litres. Output 220 kW (299 hp) at 1675 rpm. Max. torque 1350 Nm at 900-1400 rpm.; Exhaust emission Euro 6; Engine idle shutdown, 5 minutes; Manual gearbox, 16 speeds; Gearbox ratio 13.80-0.84; Rear axle ratio 3.08.

Optional

04393 Manual gearbox, 9 speeds	09889 Automatic gearbox, 6 speeds
07102 Automated gearbox, TraXon, 12 speeds	

BRAKE SYSTEM

Ventilated disc brakes front and rear. Dual circuit air system with electronic control (EBS). Twin cylinder air compressor with heated dryer and economy mode..

Optional

09921 MX Engine Brake	04901 Spring brake cylinders on the first front axle
02715 ZF Intarder	

CHASSIS

Wheelbase 5.10 m / rear overhang 2.30 m; Side member height 310 mm; Standard component location; Exhaust pipe horizontal, low; Aluminium fuel tank 340 l, height 620 mm; Tank for AdBlue® 45 l, left-hand side chassis; Front underrun protection (FUP); Spray suppression.

Optional

02393 Side member height 260 mm	07071 Spare wheel carrier right-hand side
06611 Exhaust pipe vertical, high	03323 Rear light with LEDs

DRAWBAR AND TRAILER EQUIPMENT

Closing member.

Optional

07033 Trailer coupling Ringfeder D=13.7	08027 Trailer coupling Rockinger D=20.0
07034 Trailer coupling Ringfeder D=20.0	07029 D-value cross member D=13.7
08026 Trailer coupling Rockinger D=13.0	07032 D-value cross member D=20

BODIES AND PREPARATIONS FOR BODYING

Application connector on the cab front.

POWER TAKE-OFF (PTO)

Optional

16148 PTO types and positions

24V POWER SUPPLY

Alternator 80 A, batteries 2x 140 Ah..

Optional

06460	Alternator 120 A	07671	Batteries 2x210Ah AGM
08775	Alternator 150 A		C-type
08797	Batteries 2x175Ah	06440	Batteries 2x230Ah

GVM AND GCM

Chassis weight related technical GVM max 20500 kg; Driveline related max GCM 38000 kg class 2.

Optional

04330 Driveline related max
GCM 27000 kg class 2

APPLICATION CONDITIONS

Cyclonic air intake behind the cab.

Optional

06639 Air intake on cab with in-
line cyclonic filter

SERVICE AND MAINTENANCE

Standard Warranty takes care of 1 year complete vehicle as supplied by the OEM (excl. real wear parts), 2nd year driveline and 1st year breakdown.; ITS service.

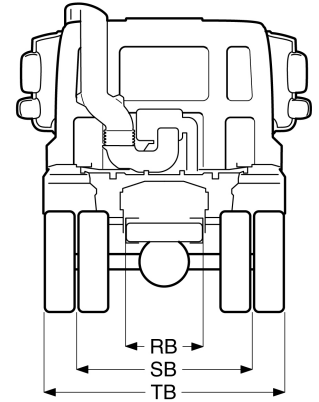
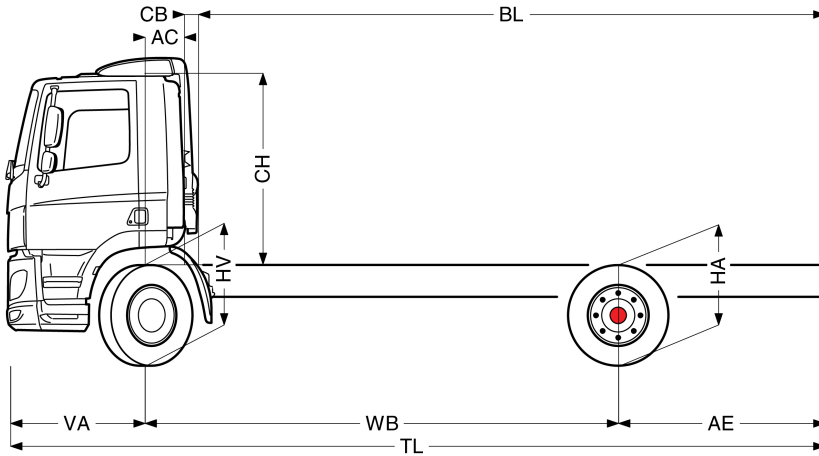


Go to [DAF.com](https://www.daf.com) to configure your own perfect DAF.

CF 300

FA 4X2 Rigid,

n-EC



	Wheelbase - AE		Unladen weight ¹⁾			Gross Carrying Capacity			Variable dimensions									
	WB	AE ⁵⁾	Front	Rear	Total	Front	Rear	Total	AC	CB ⁶⁾	CH ⁷⁾	BL ⁸⁾	BL	TL	HA ⁹⁾	HA ¹⁰⁾	TK ¹¹⁾	TW ¹²⁾
DAY CAB	4,00	1,70	4545	1797	6342	3455	11203	14158	0,39	0,18	1,94	4,91	5,19	7,07	1,02	0,99	14,01	15,37
	4,20	1,80	4675	1826	6501	4325	11174	13999	0,39	0,18	1,94	4,67	5,56	7,37	1,02	0,99	14,50	15,87
	4,50	1,95	4694	1867	6562	4306	11133	13938	0,39	0,18	1,94	5,09	6,04	7,82	1,02	0,99	15,28	16,66
	4,70	2,05	4545	1827	6372	3455	11173	14128	0,39	0,18	1,94	5,96	6,29	8,12	1,02	0,99	15,83	17,22
	4,90	2,15	4550	1844	6394	3450	11156	14106	0,39	0,18	1,94	6,27	6,60	8,42	1,02	0,99	16,35	17,75
	5,10	2,30	4551	1862	6413	3449	11138	14087	0,39	0,18	1,94	6,56	6,92	8,77	1,02	0,99	16,87	18,28
	5,40	2,40	4609	1949	6558	3391	11051	13942	0,39	0,18	1,94	7,03	7,41	9,17	1,02	0,99	17,66	19,07
	5,70	2,65	4618	1992	6609	3382	11008	13891	0,39	0,18	1,94	7,49	7,88	9,72	1,02	0,99	18,44	19,86
	6,10	2,80	4686	1965	6651	3314	11035	13849	0,39	0,18	1,94	8,15	8,57	10,27	1,02	0,99	19,49	20,92
6,60	2,85	4770	2070	6840	3230	10930	13660	0,39	0,18	1,94	8,94	9,40	10,82	1,02	0,99	20,80	22,24	
6,90	3,00	4781	2097	6878	3219	10903	13622	0,39	0,18	1,94	9,41	9,90	11,27	1,02	0,99	21,59	23,04	
SLEEPER CAB	4,00	1,70	4594	1810	6404	3406	11190	14096	0,82	0,16	1,94	4,11	4,38	7,07	1,02	0,99	14,01	15,37
	4,20	1,80	4728	1839	6567	4272	11161	13933	0,82	0,16	1,94	3,87	4,76	7,37	1,02	0,99	14,50	15,87
	4,50	1,95	4749	1879	6628	4251	11121	13872	0,82	0,16	1,94	4,28	5,25	7,82	1,02	0,99	15,28	16,66
	4,70	2,05	4595	1838	6433	3405	11162	14067	0,82	0,16	1,94	5,18	5,50	8,12	1,02	0,99	15,83	17,22
	4,90	2,15	4601	1855	6455	3399	11145	14045	0,82	0,16	1,94	5,47	5,81	8,42	1,02	0,99	16,35	17,75
	5,10	2,30	4602	1872	6474	3398	11128	14026	0,82	0,16	1,94	5,77	6,13	8,77	1,02	0,99	16,87	18,28
	5,40	2,40	4661	1958	6619	3339	11042	13881	0,82	0,16	1,94	6,25	6,62	9,17	1,02	0,99	17,66	19,07
	5,70	2,65	4670	2001	6670	3330	10999	13830	0,82	0,16	1,94	6,70	7,10	9,72	1,02	0,99	18,44	19,86
	6,10	2,80	4735	1973	6708	3265	11027	13792	0,82	0,16	1,94	7,36	7,79	10,27	1,02	0,99	19,49	20,92
6,60	2,85	4820	2077	6897	3180	10923	13603	0,82	0,16	1,94	8,16	8,63	10,82	1,02	0,99	20,80	22,24	
6,90	3,00	4831	2104	6935	3169	10896	13565	0,82	0,16	1,94	8,63	9,11	11,27	1,02	0,99	21,59	23,04	
SPACE CAB	4,00	1,70	4703	1812	6514	3297	11188	13986	0,82	0,16	2,62	4,16	4,43	7,07	1,02	0,99	14,01	15,37
	4,20	1,80	4838	1840	6678	4162	11160	13822	0,82	0,16	2,62	3,92	4,81	7,37	1,02	0,99	14,50	15,87
	4,50	1,95	4858	1880	6738	4142	11120	13762	0,82	0,16	2,62	4,34	5,31	7,82	1,02	0,99	15,28	16,66
	4,70	2,05	4704	1840	6544	3296	11160	13956	0,82	0,16	2,62	5,22	5,56	8,12	1,02	0,99	15,83	17,22
	4,90	2,15	4710	1856	6566	3290	11144	13934	0,82	0,16	2,62	5,53	5,87	8,42	1,02	0,99	16,35	17,75
	5,10	2,30	4712	1873	6585	3288	11127	13915	0,82	0,16	2,62	5,84	6,20	8,77	1,02	0,99	16,87	18,28
	5,40	2,40	4771	1960	6730	3229	11040	13770	0,82	0,16	2,62	6,31	6,69	9,17	1,02	0,99	17,66	19,07
	5,70	2,65	4779	2002	6781	3221	10998	13719	0,82	0,16	2,62	6,77	7,17	9,72	1,02	0,99	18,44	19,86
	6,10	2,80	4845	1974	6819	3155	11026	13681	0,82	0,16	2,62	7,44	7,86	10,27	1,02	0,99	19,49	20,92
6,60	2,85	4930	2078	7008	3070	10922	13492	0,82	0,16	2,62	8,24	8,72	10,82	1,02	0,99	20,80	22,24	
6,90	3,00	4941	2105	7046	3059	10895	13454	0,82	0,16	2,62	8,71	9,21	11,27	1,02	0,99	21,59	23,04	

OTHER DIMENSIONS VA: 1,37 HV¹³⁾: 1,03 HV¹⁴⁾: 0,96 RB: 0,79 SB: 1,82 TB¹⁵⁾: 2,48

- GVM in conformity with registration documents.
- GCM in conformity with registration documents.
- Axle load with standard tyre size.
- Chassis and cab weight calculated with: Standard specification items only with 0 litres of fuel, 0 litres of AdBlue® and driver of 0 kg, tolerance ± 3%. Changing of the specification can have major impact on vehicle weight.
- Other AE dimensions may be available for shown WB. Modify rear overhang to the calculated body length.
- CB is based on standard air intake and/or exhaust.
- Cab height is measured from frame member to closed cabin roof hatch.

- Calculate customer specific body length with TOPEC. Body lengths shown based on evenly distributed load at max axle load.
- Unladen height at centre of driven axle(s).
- Laden height at centre of driven axle(s).
- TK = turning circle between kerbs.
- TW = turning circle between walls.
- Unladen height at centre of front axle(s).
- Laden height at centre of front axle(s).
- TB is overall width at rear. (At lower cab step 255).

Depending on the vehicle configuration a specific option may not be possible. The availability and specification of this vehicle may differ per country. For further information please contact the DAF organisation. Pictures and technical illustrations are not binding in detail and can differ from the standard specification. Subject to modification without prior notice.