

Specification sheet

CF 410

FAQ 8X2 Rigid



ENGINES

CF 370 MX-11 (270 kW / 367 hp)
CF 410 MX-11 (300 kW / 408 hp)
CF 450 MX-11 (330 kW / 449 hp)
CF 430 MX-13 (315 kW / 428 hp)
CF 480 MX-13 (355 kW / 483 hp)
CF 530 MX-13 (390 kW / 530 hp)

GVM¹⁾

30600 kg

Max. front 8000 kg

Max. rear 22600 kg

GCM²⁾

44000 kg

CAB EXTERIOR

Sleeper Cab with galvanised steel bumper, tinted glass and electric window openers. Main mirrors and wide angle mirrors electrically heated. Cab width 2300 mm.; LED daytime running lights; Manually adjustable main mirrors; No front view mirror.

Optional

01137 Space Cab	09983 Fog lights
01226 Cab suspension air	09984 Fog lights and cornering lights
01174 External sun visor green translucent	06593 Skylights
00847 Air horns, single set	06628 One hazard beacon light at co-driver side
09006 Air horns, double set	06627 One hazard beacon light at driver side
08020 LED head lights	06629 Two hazard beacon lights

AERODYNAMICS

Optional

06776 Adjustable roof air deflector	04906 Side collars, one side hinged
--	--

COLOURS

Cab colour H3279 Brilliant White; Head lamp panel and bumper: Brilliant White; Chassis colour grey..

Optional

06485 Head lamp panel and bumper: cab colour	09933 Head lamp panel and bumper: Stone Grey
---	---

CAB INTERIOR

Cab interior trim colour Dark Sand; Cab interior decoration Black Rock; Driver seat: Comfort Air; Co-driver seat: basic; Automatic Temperature Control and airco; Pollen filter; Roof hatch aluminium, manual control.

Optional

09271 Steering wheel, leather, colour black	07748 Co-driver seat: Xtra Leather Air
07733 Driver seat: Luxury Air	00967 Seat belts red
07736 Driver seat: Super Air	06539 Refrigerator
07737 Driver seat: Xtra Leather Air	06784 Lower bunk mattress Xtra Comfort
07741 Co-driver seat: Comfort Air	06676 PL light in cab ceiling
07743 Co-driver seat: Luxury Air	06970 Automatic Cab Climate Control
07746 Co-driver seat: Super Air	

COMMUNICATION AND DRIVING MANAGEMENT

Tachograph digital, Stoneridge 1B; Speed limiter setting 85/90 km/h; Antennas: radio, 2x cellular, GNSS; Cruise control.

Optional

09681 Preparation for Maut	09909 Adaptive Cruise Control (ACC) with FCW
08450 Luxury speaker system with 6 speakers	06991 Predictive Cruise Control
07117 Radio/USB player, 2 speakers	06992 Predictive Cruise Control lite

SAFETY AND SECURITY

No Lane Departure Warning System; No vehicle stability control; Basic engine immobiliser system.

Optional

08631 Air bag (driver) and 2 seat belt tensioners	09827 Side camera system
09828 Front camera system	01725 Reverse warning

SUSPENSION AND AXLES

Front axles load 8.00 + 8.00 t; Rear: 12.00 + 7.40 t, air suspension, SR1347.

Optional

03467 Front axles load 9.00 + 8.00 t	01800 Rear axle SR1344
04057 Rear axle HR1356	00751 Rear axle load 11.50+7.50 t

WHEELS AND TYRES

Front axle(s): 385/55R22.5; Second front or leading axle: 385/55R22.5; Driven rear axle(s): 315/70R22.5; Second driven rear or trailing axle: 385/55R22.5; Disc wheels steel, silvergrey; No wheel protection rings.

Optional

16152 Tyre makes and types

DRIVELINE

Engine MX-11, multi torque 6 cylinder diesel engine, 10.8 litres. Output 300 kW (408 hp) at 1600 rpm. Maximum torque 2100 Nm at 900-1125 rpm.; Exhaust emission Euro 5; Engine idle shutdown, 5 minutes; Manual gearbox, 16 speeds; Gearbox ratio 13.80-0.84; Rear axle ratio 2.69.

Optional

03600 Exhaust emission Euro 6	07103 Automated gearbox, TraXon, 16 speeds
07102 Automated gearbox, TraXon, 12 speeds	03720 No ASR

BRAKE SYSTEM

Exhaust brake; Ventilated disc brakes front and rear. Dual circuit air system with electronic control (EBS). Twin cylinder air compressor with heated dryer and economy mode..

Optional

09921 MX Engine Brake	02715 ZF Intarder
------------------------------	--------------------------

CHASSIS

Wheelbase 4.70 m / rear overhang 1.20 m; Side member height 310 mm; Standard component location; Exhaust pipe horizontal, low; Aluminium fuel tank 340 l RH, height 620 mm; Tank for AdBlue® 45 l, right-hand side chassis; Front underrun protection (FUP); Spray suppression.

Optional

03323 Rear light with LEDs

DRAWBAR AND TRAILER EQUIPMENT

D-value cross member D=13.7; No pneumatic trailer connection; Electric connection 24 V / 1x15 pins.

Optional

07033 Trailer coupling Ringfeder D=13.7	08027 Trailer coupling Rockinger D=20.0
07034 Trailer coupling Ringfeder D=20.0	04624 Closing member D-value = 0kN
08026 Trailer coupling Rockinger D=13.0	07032 D-value cross member D=20

BODIES AND PREPARATIONS FOR BODYING

Application connector on the cab front.

Optional

- 04331 Appl connector including air control prep
- 06692 Application connector chassis
- 09050 Application connectors for bb remote control

POWER TAKE-OFF (PTO)

Optional

- 16148 PTO types and positions

24V POWER SUPPLY

Alternator 120 A, batteries 2x 175 Ah..

Optional

- 08775 Alternator 150 A
- 06440 Batteries 2x230Ah
- 07671 Batteries 2x210Ah AGM C-type

GVM AND GCM

Chassis weight related technical GVM max 35000 kg; Driveline related max GCM 44000 kg class 2.

Optional

- 00200 Driveline related max GCM 38000 kg class 2
- 00939 Driveline related max GCM 56000 kg class 2
- 03682 Driveline related max GCM 50000 kg class 2

APPLICATION CONDITIONS

Cyclonic air intake behind the cab.

SERVICE AND MAINTENANCE

Standard Warranty takes care of 1 year complete vehicle as supplied by the OEM (excl. real wear parts), 2nd year driveline and 1st year breakdown.; ITS service.

Optional

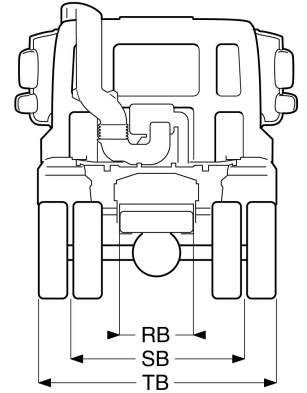
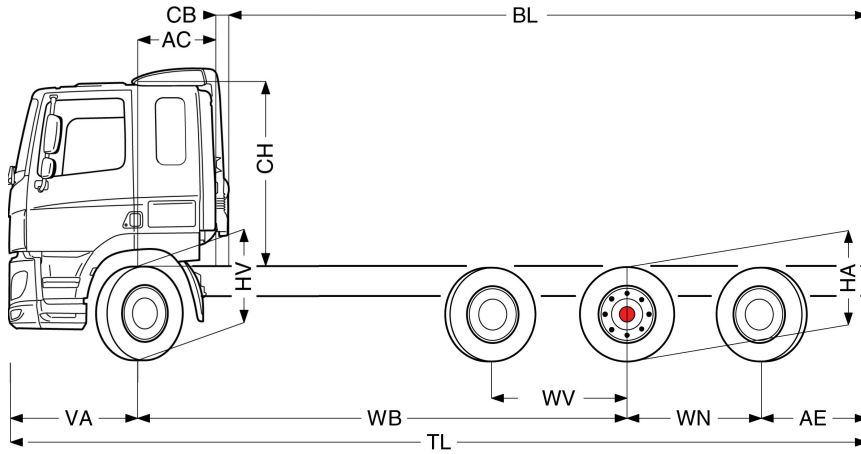
- 08310 Service interval standard



Go to **DAF.com** to configure your own perfect DAF.

CF 410

FAQ 8X2 Rigid



	Wheelbase - AE		Unladen weight ⁹⁾			Gross Carrying Capacity			Variable dimensions									
	WB	AE ⁹⁾	Front	Rear	Total	Front	Rear	Total	AC	CB ⁸⁾	CH ⁷⁾	BL ⁸⁾	BL	TL	HA ⁹⁾	HA ¹⁰⁾	TK ¹¹⁾	TW ¹²⁾
SLEEPER CAB	4,70	1,20	4953	4428	9382	3047	18171	21218	0,82	0,16	1,94	5,26	5,26	8,67	1,02	0,99	17,37	18,64
	5,05	1,20	4983	4451	9434	3017	18149	21166	0,82	0,16	1,94	5,82	5,82	9,02	1,02	0,99	18,39	19,67
	5,60	3,15	4878	4833	9711	3122	17767	20889	0,82	0,16	1,94	6,52	6,52	11,52	1,02	0,98	19,99	21,28
SPACE CAB	4,70	1,20	5065	4428	9493	2935	18172	21107	0,82	0,16	2,62	5,33	5,33	8,67	1,02	0,99	17,37	18,64
	5,05	1,20	5095	4450	9545	2905	18150	21055	0,82	0,16	2,62	5,88	5,88	9,02	1,02	0,99	18,39	19,67
	5,60	3,15	4989	4832	9822	3011	17768	20778	0,82	0,16	2,62	6,59	6,59	11,52	1,02	0,98	19,99	21,28

OTHER DIMENSIONS	VA: 1,37	WB: 1,41	WN: 1,40	HV ¹³⁾ : 1,01	HV ¹⁴⁾ : 0,95	RB: 0,79	SB: 1,82	TB ¹⁵⁾ : 2,48
------------------	----------	----------	----------	--------------------------	--------------------------	----------	----------	--------------------------

- GVM in conformity with registration documents.
- GCM in conformity with registration documents.
- Axle load with standard tyre size.
- Chassis and cab weight calculated with: Standard specification items only with 340 litres of fuel, 45 litres of AdBlue® and driver of 80 kg, tolerance ± 3%. Changing of the specification can have major impact on vehicle weight.
- Other AE dimensions may be available for shown WB. Modify rear overhang to the calculated body length.
- CB is based on standard air intake and/or exhaust.
- Cab height is measured from frame member to closed cab roof hatch. With air intake on cab roof add: 0.14 m (for MX-11); add 0.21 m for MX-13.

- Calculate customer specific body length with TOPEC. Body lengths shown based on evenly distributed load at max axle load.
- Unladen height at centre of driven axle(s).
- Laden height at centre of driven axle(s).
- TK = turning circle between kerbs.
- TW = turning circle between walls.
- Unladen height at centre of front axle(s).
- Laden height at centre of front axle(s).
- TB is overall width at rear. (At lower cab step 255).

Depending on the vehicle configuration a specific option may not be possible. The availability and specification of this vehicle may differ per country. For further information please contact the DAF organisation. Pictures and technical illustrations are not binding in detail and can differ from the standard specification. Subject to modification without prior notice.